

# CS12SW



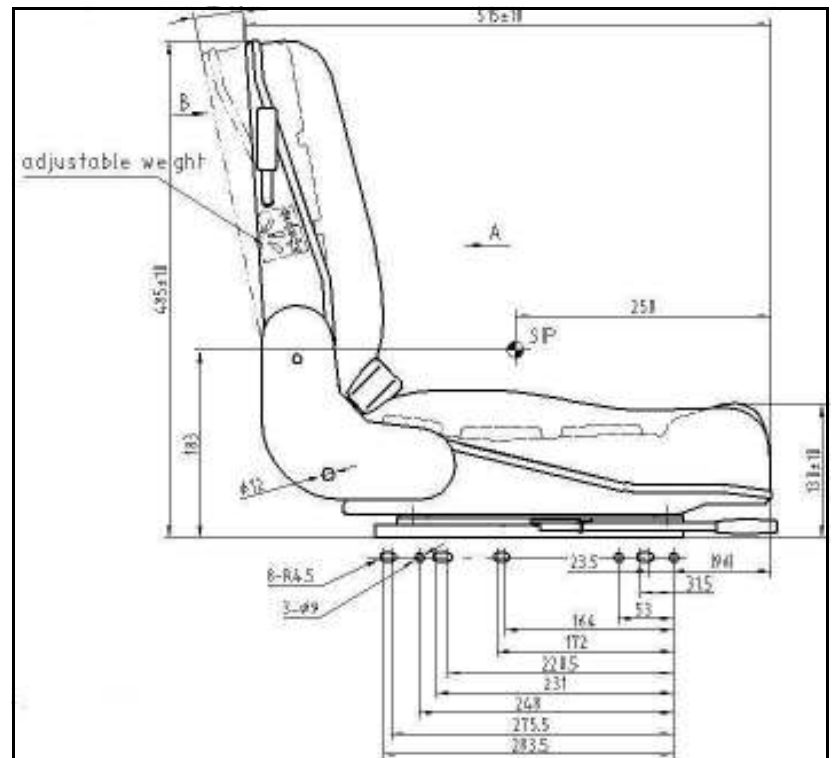
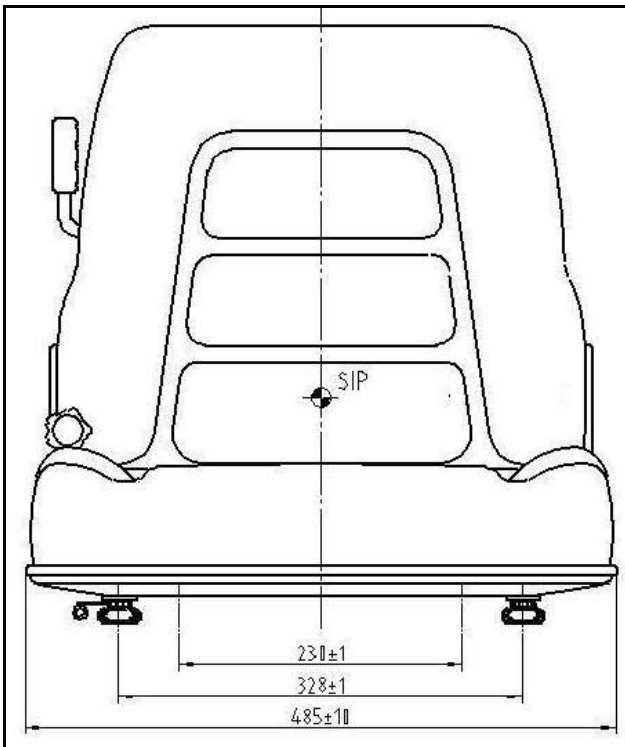
The CS12SW is a semi-suspension seat, fitted with an operator switch, generally used for forklifts and fits most model types, including Caterpillar, Jungheinrich, Samsung and more.

## CHARACTERISTICS & TECHNICAL DATA

Weight Adjustment from 60-120kg  
Slide Track with Fore & Aft adjustment - 150mm  
Adjustable backrest  
Seat Belt Fixation Points  
Seat switch  
Multiple hole mounting patterns  
Heavy duty black vinyl

## Optional Extras

Retractable or Static Seat Belt (SB)



Unit 1 Forward Park, Sheene Road, Gorse Hill Industrial Estate  
Beaumont Leys, Leicester, LE4 1BF  
Tel: +44 (0)116 216 9910 Fax: +44 (0)116 216 9911

## IMPORTANT

Seat restraints (static or retractable lap belts) are available. The nature and environment of product use dictates the employment of this device. Seats are component parts, therefore the purchaser of any seat must exercise this choice in accordance with the vehicle manufacturer's recommendations. Strict adherence to all safety procedures is recommended. All local rules and regulations must be obeyed. If the vehicle is not equipped with a ROPS, seat belts should not be installed; check manufacturer's recommendations.